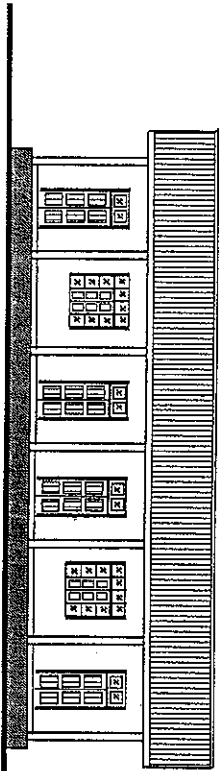
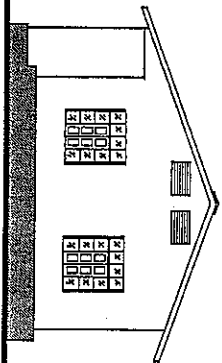


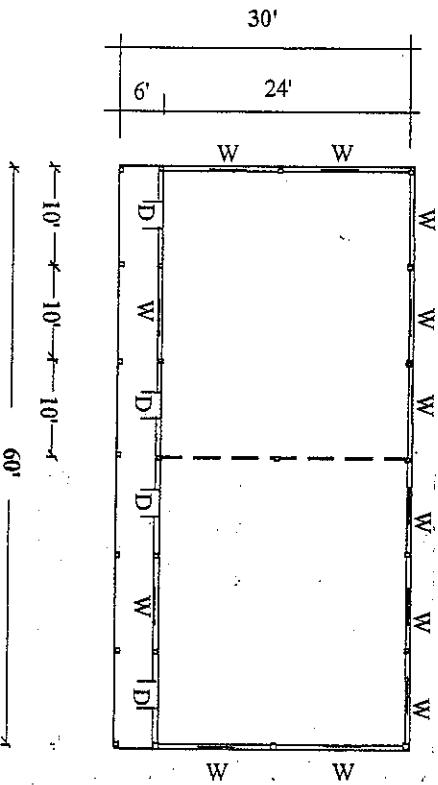
(60'x30') One Storey Reinforced Concrete School Building



FRONT VIEW



SIDE VIEW



PLAN VIEW

CONCRETE FLOOR

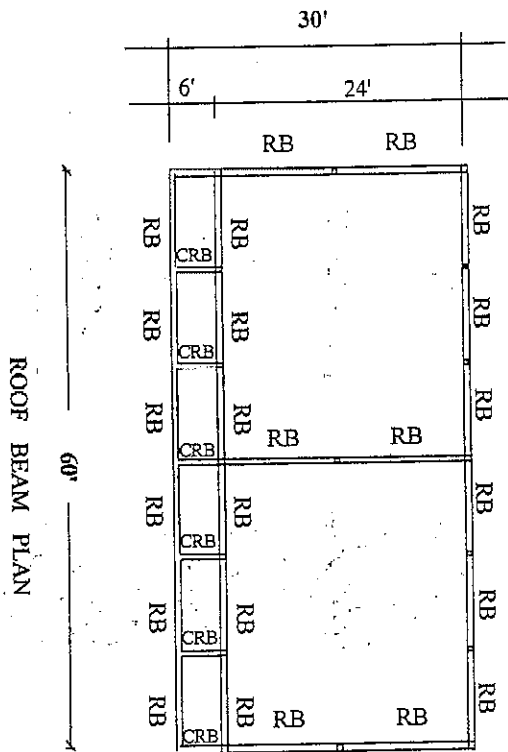
To :

CEILING HEIGHT ----- 12' - 0"

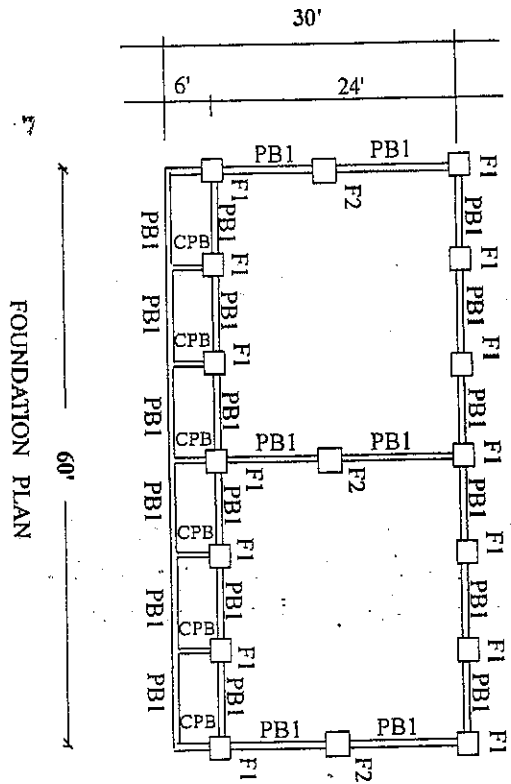
Door --7' Ht. x 4'

Window --4' Ht. x 6'

SS - 1 (2)



ROOF BEAM PLAN



FOUNDATION PLAN